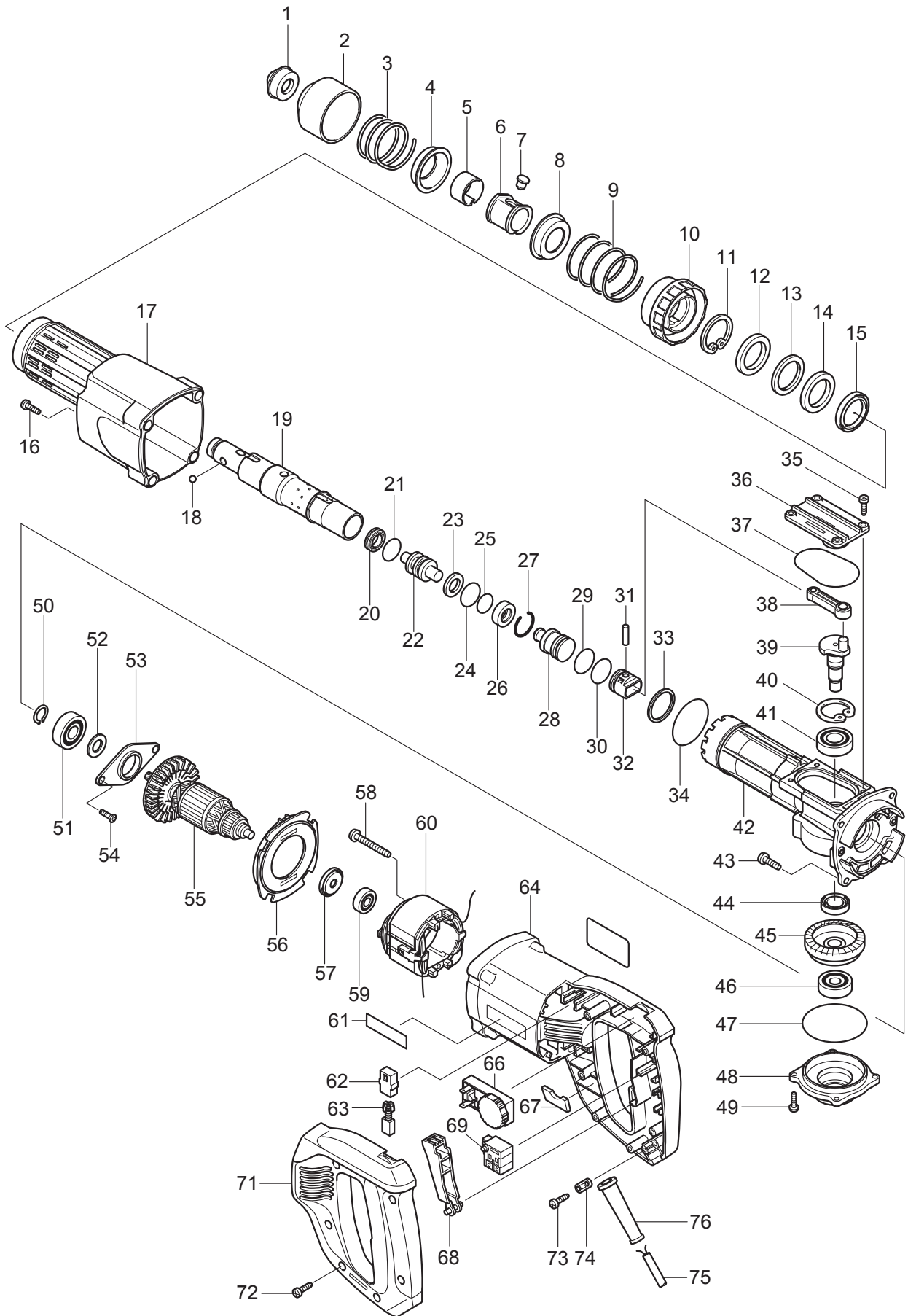




02 - 2010

HK0500

POWER SCRAPER 2000-3500 BPM-SDS



Item No	Type	Ref	Part No	SC Description	Qty	Unit
1	1		286248-0	CAP 31 - N/L/A	1	PC.
	2		286265-0	CAP 31	1	PC.
2			416729-2	CHUCK COVER	1	PC.
3			233203-3	COMPRESSION SPRING 38	1	PC.
4			344691-0	SPRING GUIDE	1	PC.
5			232192-9	LEAF SPRING 26	1	PC.
6			323724-4	CHUCK RING	1	PC.
7			256447-8	PIN 8	1	PC.
8			344691-0	SPRING GUIDE	1	PC.
9			233238-4	COMPRESSION SPRING 38	1	PC.
10			416733-1	CHANGE RING	1	PC.
11			962156-6	RETAINING RING R-38	1	PC.
12			257218-6	RING 27	1	PC.
13			261113-4	URETHANE WASHER 28	1	PC.
14			257218-6	RING 27	1	PC.
15			213433-2	OIL SEAL 30	1	PC.
16			265995-6	TAPPING SCREW 4X18	2	PC.
17			416734-9	CRANK HOUSING COVER	1	PC.
18			216022-2	STEEL BALL 7.0	1	PC.
19	1		323839-7	TOOL HOLDER - N/L/A	1	PC.
	2		324063-5	TOOL HOLDER	1	PC.
20			213173-2	X RING 13	1	PC.
21			213214-4	O RING 16	1	PC.
22			324012-2	IMPACT BOLT	1	PC.
23			267192-0	FLAT WASHER 13	1	PC.
24			213175-8	O RING 14	1	PC.
25			213117-2	O RING 11	1	PC.
26			323846-0	O RING CASE	1	PC.
27			231987-7	RING SPRING 21	1	PC.
28			323848-6	STRIKER	1	PC.
29			213227-5	O RING 16	1	PC.
30			213227-5	O RING 16	1	PC.
31			256123-4	PIN 5	1	PC.
32			416726-8	PISTON	1	PC.
33			267129-7	FLAT WASHER 27	1	PC.
34			213560-5	O RING 44	1	PC.
35			266034-5	TAPPING SCREW CT 4X16	4	PC.
36			416732-3	CRANK CAP	1	PC.
37			213656-2	O RING 53	1	PC.
38			416727-6	ROD	1	PC.
39			323826-6	CRANK SHAFT	1	PC.
40			962151-6	RETAINING RING R-32	1	PC.
41			211232-6	BALL BEARING 6002LLU	1	PC.
42			151543-6	CRANK HOUSING COMPLETE	1	PC.
		INC.	262079-1	SLEEVE 27	1	PC.
43			266021-4	TAPPING SCREW 5X20	4	PC.
44			213219-4	OIL SEAL 15	1	PC.
45			226779-7	SPIRAL BEVEL GEAR 41	1	PC.
46			211066-7	BALL BEARING 6200LLB	1	PC.
47			213663-5	O RING 55	1	PC.
48			151579-5	GEAR COVER COMPLETE	1	PC.
		INC.	263002-9	RUBBER PIN 4	1	PC.
49			266034-5	TAPPING SCREW CT 4X16	4	PC.

Item No	Type	Ref	Part No	SC Description	Qty	Unit
50			961052-5	RETAINING RING S-12	1	PC.
51			211129-9	BALL BEARING 6201DDW	1	PC.
52			253069-5	FLAT WASHER 12	1	PC.
53			285690-2	BEARING RETAINER 68	1	PC.
54			251304-5	+ COUNTERSUNK HEAD SCREW M4X12	2	PC.
55			516356-6	ARMATURE ASS'Y 115V	1	PC.
		INC.	240021-2	FAN 60	1	PC.
		INC.		Item No. 57,59		
56			416730-7	BAFFLE PLATE	1	PC.
57			681644-1	INSULATION WASHER	1	PC.
58			266211-9	TAPPING SCREW 5X40	2	PC.
59			210005-4	BALL BEARING 608DDW	1	PC.
60			594316-8	FIELD ASS'Y 115V	1	PC.
		INC.	654069-2	RECEPTACLE	1	PC.
61			819063-3	MAKITA LABEL	1	PC.
62			643605-9	BRUSH HOLDER	2	PC.
63	1		191904-8	A.C. CARBON BRUSH CB-113 2PC/SET (W/O ORIGIN)	1	SET
	2		194978-8	A.C. CARBON BRUSH CB-113 2PC/SET (W/ ORIGIN)	1	SET
64			416736-5	MOTOR HOUSING	1	PC.
66			631290-0	CONTROLLER 100-120V	1	PC.
67			423308-9	SPONGE SHEET 13-33	1	PC.
68			416728-4	SWITCH LEVER	1	PC.
69			651969-7	SWITCH	1	PC.
71			151544-4	HANDLE COVER COMPLETE	1	PC.
		INC.	263002-9	RUBBER PIN 4	2	PC.
72			265995-6	TAPPING SCREW 4X18	6	PC.
73			265995-6	TAPPING SCREW 4X18	2	PC.
74			687063-9	CORD CLAMP	1	PC.
75			660023-6	CORD W/PLUG 2P-18-5.0M, SJ	1	PC.
76			682503-2	CORD GUARD 8-90	1	PC.
77			231979-6	RING SPRING 17 (Added)	1	PC.
78			135167-6	TOOL HOLDER ASS'Y (Added)	1	PC.
		INC.		Item No. 19-27	1	PC.
100			652008-6	P.H. SCREW M3.5 X 7	2	PC.
101			654037-5	INSLTED TERMINAL FK1.25-M3	1	PC.
103			534024-9	LEAD ASSY (PURPLE)	1	PC.
104			654532-5	TERMINAL BLOCK 1P	1	PC.
105			654002-4	TERMINAL 1.25-M4	2	PC.

ACCESSORIES

- See catalogue or visit www.makita.ca for more optional accessories -

A01	1		A-30483	SCALING CHISEL 38-200 - N/L/A	1	PC.
	2		A-87052	SCALING CHISEL 40-250	1	PC.
A02			824523-2	PLASTIC CARRYING CASE	1	PC.
		INC.	163455-1	LATCH (OLD# 416401-6)	2	PC.
A03	1		798389-5	SDS PLUS BULLPOINT 14-250 - N/L/A	1	PC.
	2		D-08713	SDS PLUS BULLPOINT 14-250	1	PC.
A04	1		798388-7	SDS PLUS COLD CHISEL 20-250	1	PC.
	2		A-87046	SDS PLUS COLD CHISEL 20-250	1	PC.
A05			A-90582	MAKITA GREASE R NO.00 30CC (1OZ)	1	PC.
A06	1		181573-3	MAKITA GREASE 100G	1	PC.
	2		194683-7	MAKITA GREASE VESSEL SET 100CC	1	PC.
A07	1		191686-A	SAFETY GLASSES - N/L/A	1	PC.
	2		191687-A	MAKITA SAFETY GLASSES - N/L/A	1	PC.

Item No	Type	Ref	Part No	SC Description	Qty	Unit
A08			G-00001	MAKITA WORK GLOVES	1	PC.
A09			193397-5	HAMMER SERVICE KIT	1	PC.

SERVICE CHANGES

1. Modification of Tool Holder and addition of Ring Spring 17

Item No.	Description	Type 1	Type 2
19	Tool Holder	323839-7 (N/L/A)	324063-5
77	Ring Spring 17	-----	231979-6
	Serial No.	~ 17773E	17774E ~

Above parts are completely interchangeable as a set.

